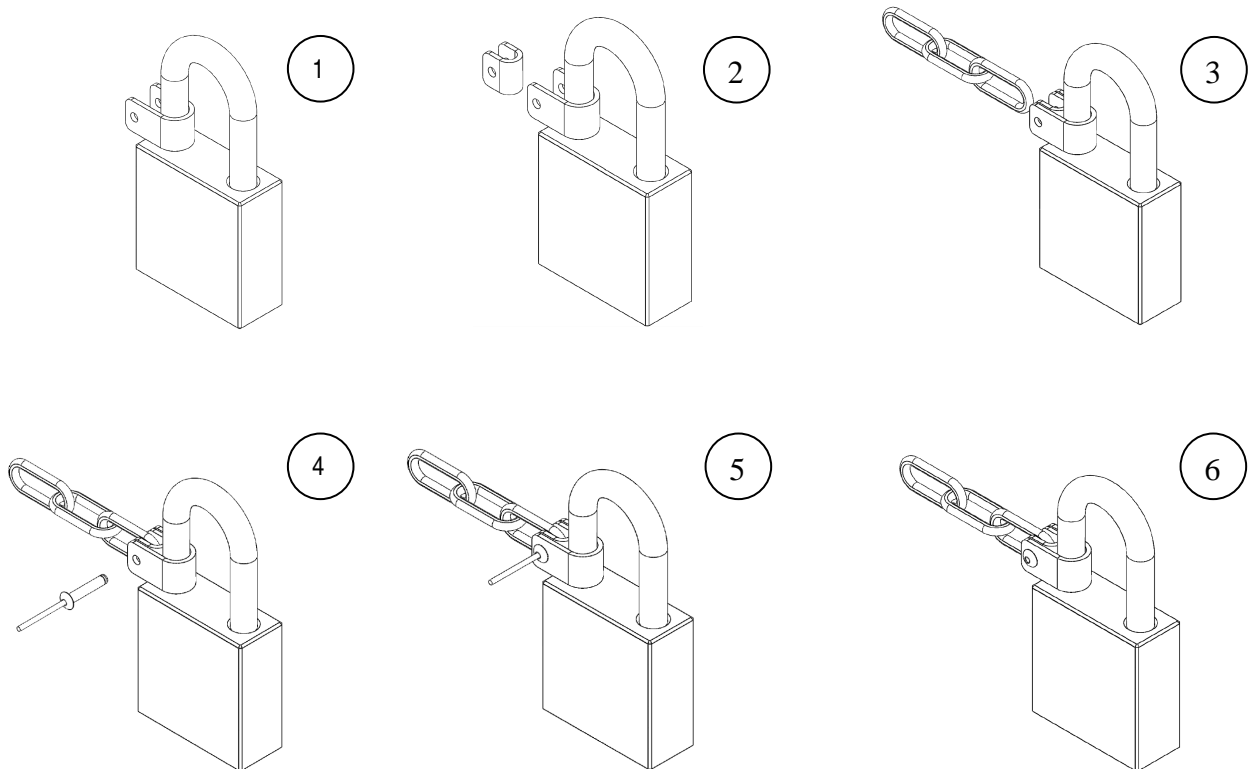


Shackle Bracket - Assembly Instruction



Anchor shackle bracket is used to fasten a padlock chain to the shackle to prevent the padlock from being dropped to the ground or carried away. The bracket is easily mounted on the padlock shackle and sealed with a rivet to prevent it from being removed once assembled. The bracket is available in different sizes to suit 8mm, 10mm, 11mm and 15mms shackles. All components of the Anchor shackle bracket are made of stainless steel. The bracket fits together with a long link chain with 4-5mm diameter.

Assembly steps:



Copyright © 2013 Anchor Lås AB, 2013-11-01