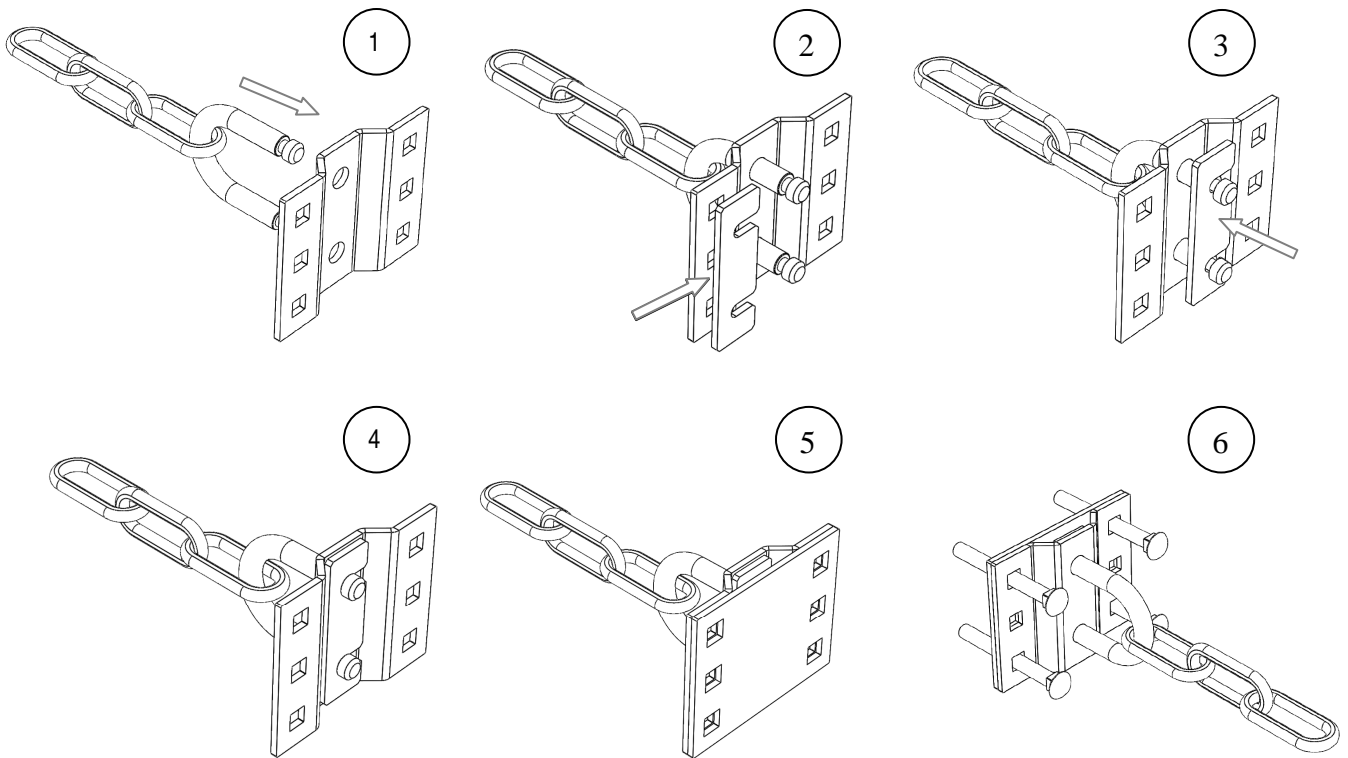


Wall Bracket - Assembly instruction



Anchor Wall Bracket is used for anchoring the padlock chain on a wall or a beam. The wall bracket has 6pcs of square holes adapted for M5 coach bolts. The wall bracket is typically attached with a fastener (coach bolts, wood screws, etc.) in each outer corner. If the beam that the wall mount is attached to is not wide enough to accommodate this, the center holes are used. All components of the Anchor wall bracket is made of stainless steel. Shackle diameter is 6.5mm and fits to a long linked chain with 4-5mm diameter.

Assembly steps:



Copyright © 2013 Anchor Lås AB, 2013-11-01