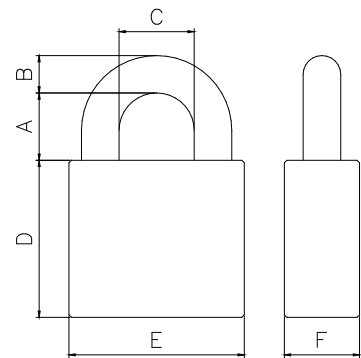


## ANCHOR 350 Series



Ungraded padlocks manufactures in brass with shackle in hardened steel. Suitable for locking lockers, tool boxes and the like with limited security needs. Cylinder of pin cylinder design. Spring loaded shackle. The key can be withdrawn in both locked and unlocked position. Padlocks 350-25 and 350-35 have 4 pins, padlocks 350-45 and 350-60 have 5 pins.

- > Padlock body: Brass
- > Shackle: Hardened steel
- > Plating: Brass on body, chrome on shackle.
- > Cylinder type: Pin cylinder
- > Shackle heights: See table.
- > Option: Carded (CARDED)  
Keyed Alike (KA)  
2 x Pack (TW)



Article	A	B	C	D	E	F	Option	Cylinder
PADLOCK 350/25	14	4	13	25	25	11.5	STD	4-PIN
PADLOCK 350/35 STD	19	5.5	19	29.5	35	13.5	STD	4-PIN
PADLOCK 350/35-75 STD	75	5.5	19	29.5	35	13.5	STD	4-PIN
PADLOCK 350/45 STD	25.5	7	24.5	35	45	14.5	STD	5-PIN
PADLOCK 350/45-75 STD	75	7	24.5	35	45	14.5	STD	5-PIN
PADLOCK 350/45-150 STD	150	7	24.5	35	45	14.5	STD	5-PIN
PADLOCK 350/60 STD	34	9.5	34.5	43	60	18	STD	5-PIN

