



ANCHOR 610-1



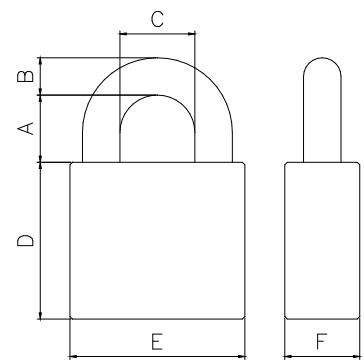
Grade 2 padlock manufactured in all rust resistant materials. Suitable for locking cash boxes, tool boxes, lockers, power station switches and the like. The padlock is equipped with the ANCHOR disc cylinder and 2 keys. The padlock is available in key differ (std) and keyed alike.

ANCHOR Disc cylinder

- > ANCHOR Disc cylinder, 6 discs, 15.000 different key combinations.
- > The cylinder has no spring loaded parts, which in other types of mechanism can cause malfunction through wear, dirt, moisture, corrosion or freezing.
- > Maximum resistance against picking and manipulation.
- > Our extra strong key, thickness 3 mm, is made of nickel silver. The key is design patented.



- > Padlock body: 33mm brass
- > Shackle: 5mm stainless steel
- > Plating: Chrome
- > Cylinder type: ANCHOR Disc cylinder
- > Shackle heights: 20mm
- > Certification: Class 1 according to SSF 014 rev 3.
Grade 2 according to EN 12320:2012
- > Options: Carded (CARDED)
Keyed Alike (KA)
Completion of Keyed Alike (COMP KA)
Brass Finish (BR)



A	B	C	D	E	F
20	5	18	29	33	19

