



## ANCHOR 620-2



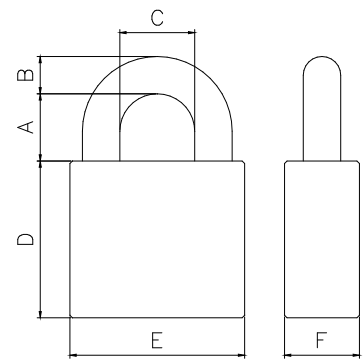
Grade 3 padlock manufactured in all rust resistant materials. Suitable for locking tool boxes, lockers, trailers, power station switches and the like. The padlock is equipped with the ANCHOR disc cylinder and 2 keys. The padlock is available in key differ (std) and keyed alike.

### **ANCHOR Disc cylinder**

- > ANCHOR Disc cylinder, 6 discs, 15.000 different key combinations.
- > The cylinder has no spring loaded parts, which in other types of mechanism can cause malfunction through wear, dirt, moisture, corrosion or freezing.
- > Maximum resistance against picking and manipulation.
- > Our extra strong key, thickness 3 mm, is made of nickel silver. The key is design patented.



- > Padlock body: 46mm brass
- > Shackle: 8mm stainless steel
- > Plating: Chrome
- > Cylinder type: ANCHOR Disc cylinder
- > Shackle heights: 25mm, 60mm and 110mm
- > Certification: Class 2 according to SSF 014 rev 3.  
Grade 3 according to EN 12320:2012



A	B	C	D	E	F
25	8	24	34	46	20

- > Options:
  - Carded (CARDED)
  - Keyed Alike (KA)
  - Completion of Keyed Alike (COMP KA)
  - Brass Finish (BR)

