



## ANCHOR 630-3



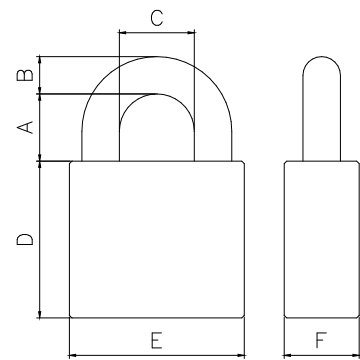
Grade 4 padlock for high security applications. Suitable for locking motorcycles, trucks, road barriers and the like. The padlock is equipped with the ANCHOR disc cylinder and 2 keys. The cylinder is protected by a 3mm thick hardened free spinning protection plate. The padlock is available in key differ (std) and keyed alike.

### **ANCHOR Disc cylinder**

- > ANCHOR Disc cylinder, 6 discs, 15.000 different key combinations.
- > The cylinder has no spring loaded parts, which in other types of mechanism can cause malfunction through wear, dirt, moisture, corrosion or freezing.
- > Maximum resistance against picking and manipulation.
- > Our extra strong key, thickness 3 mm, is made of nickel silver. The key is design patented.



- > Padlock body: 60mm hardened steel
- > Shackle: 11mm hardened steel
- > Plating: Chrome
- > Cylinder type: ANCHOR Disc cylinder
- > Shackle heights: 28 and 50mm
- > Certification: Class 3 according to SSF 014 rev 3.  
Grade 4 according to EN 12320:2012
- > Options: Carded (CARDED)  
Keyed Alike (KA)  
Completion of Keyed Alike (COMP KA)



A	B	C	D	E	F
28/50	11	28	44	60	25

