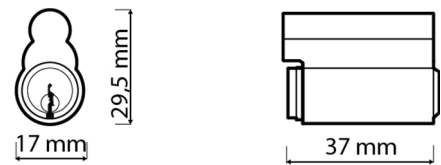




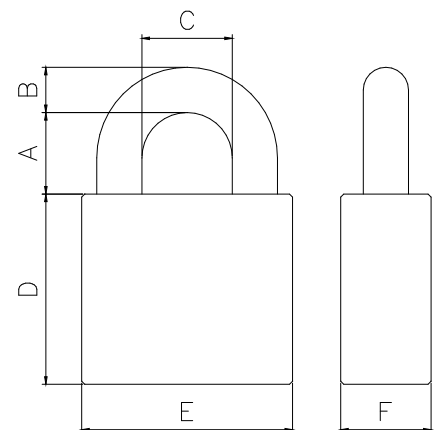
# ANCHOR 802-2 Snowman



Grade 3 padlock manufactured in all rust resistant materials. Suitable for locking tool boxes, lockers, trailers, power station switches and the like. The padlock is designed to be used with a Snowman cylinder. Delivered with shackle spring for pop up function as standard. As an option the padlock can be delivered with self locking function or with weather protected version with concealed O-rings in the shackle holes.



- > Padlock body: 50mm brass
- > Shackle: 8mm stainless steel
- > Plating: Chrome
- > Cylinder type: Oval
- > Shackle heights: 25, 60 and 110mm
- > Certification: Class 2 according to SSF 014 rev 3.  
Grade 3 according to EN 12320:2012
- > Options: Self Locking (SL)  
Weather protected (WP)  
Brass Finish (BR)



A	B	C	D	E	F
25/60/110	8	24	61	46	20

